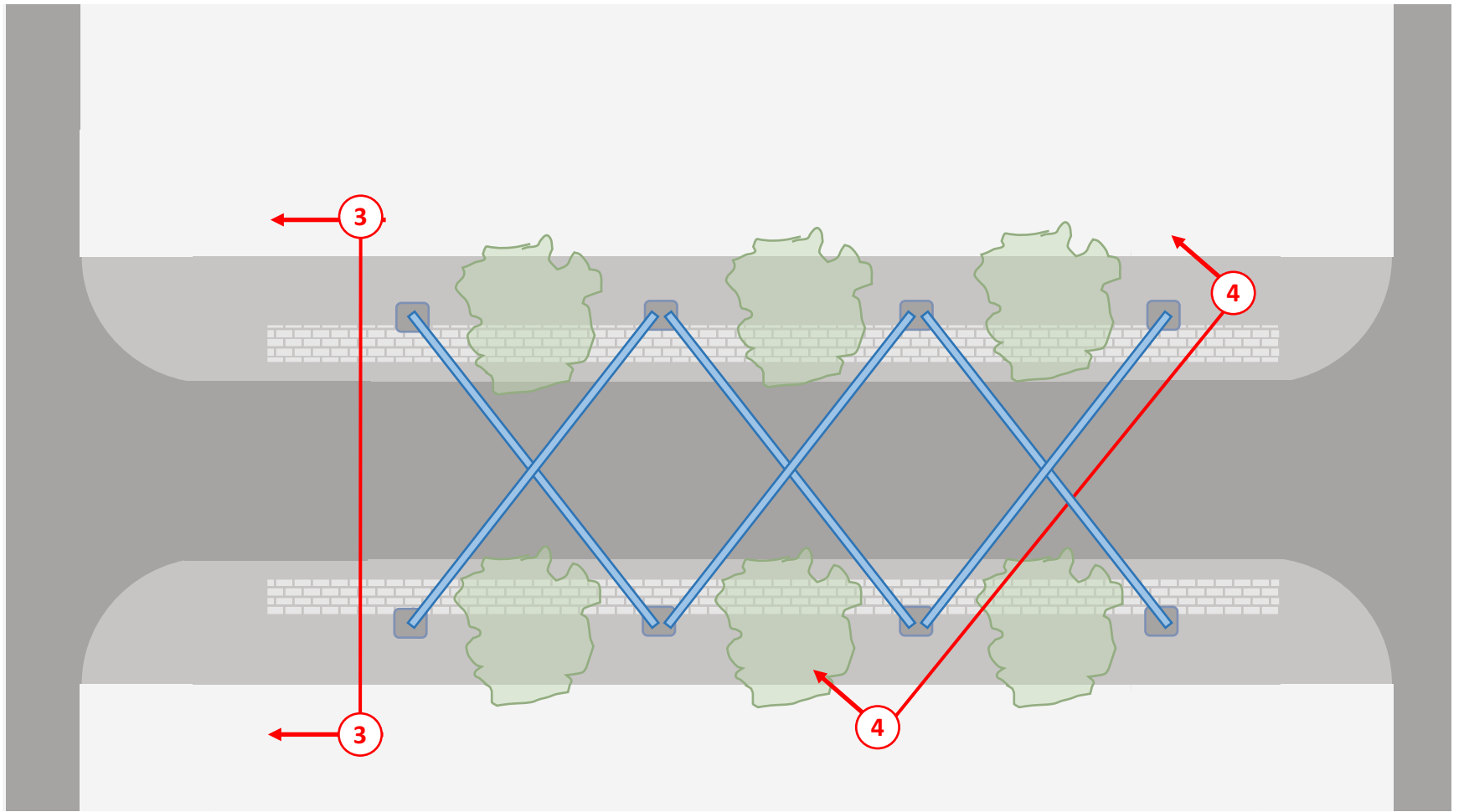


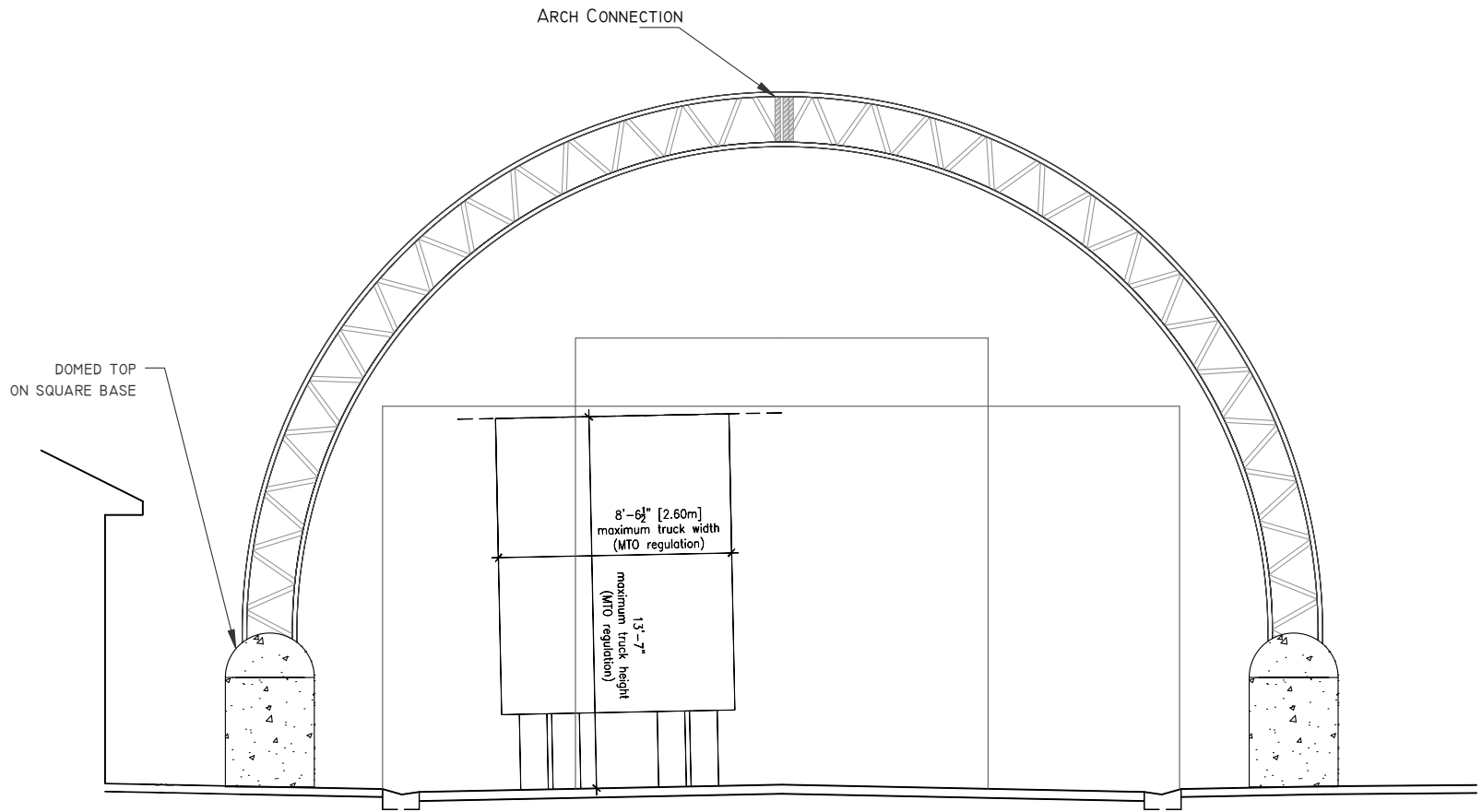
Replacement of the Pelham Summerfest Arches

Drawing 1 of 9



Replacement of the Pelham Summerfest Arches

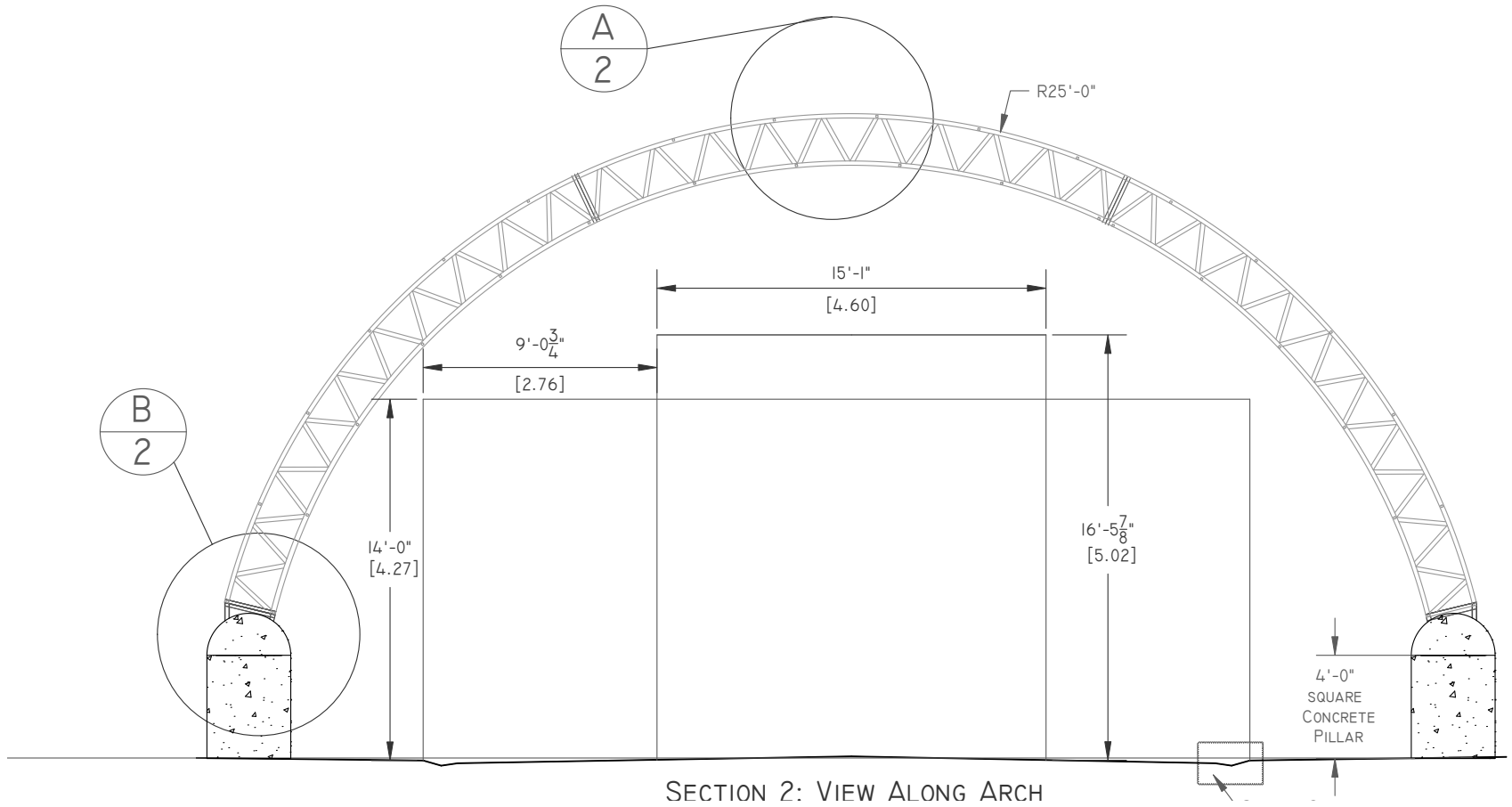
Drawing 2 of 9



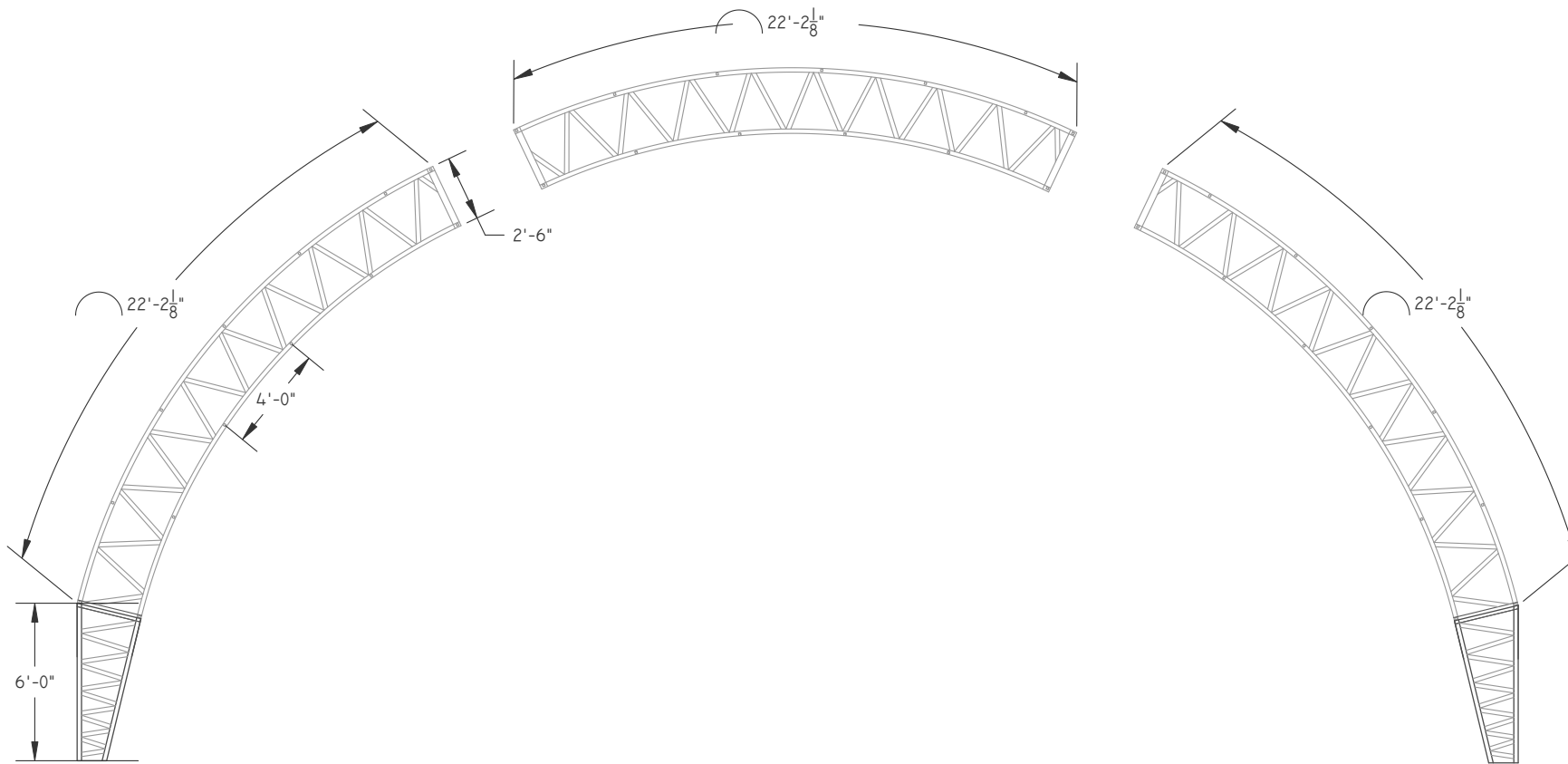
SECTION I: VIEW ALONG PELHAM TOWN SQUARE

Replacement of the Pelham Summerfest Arches

Drawing 3 of 9

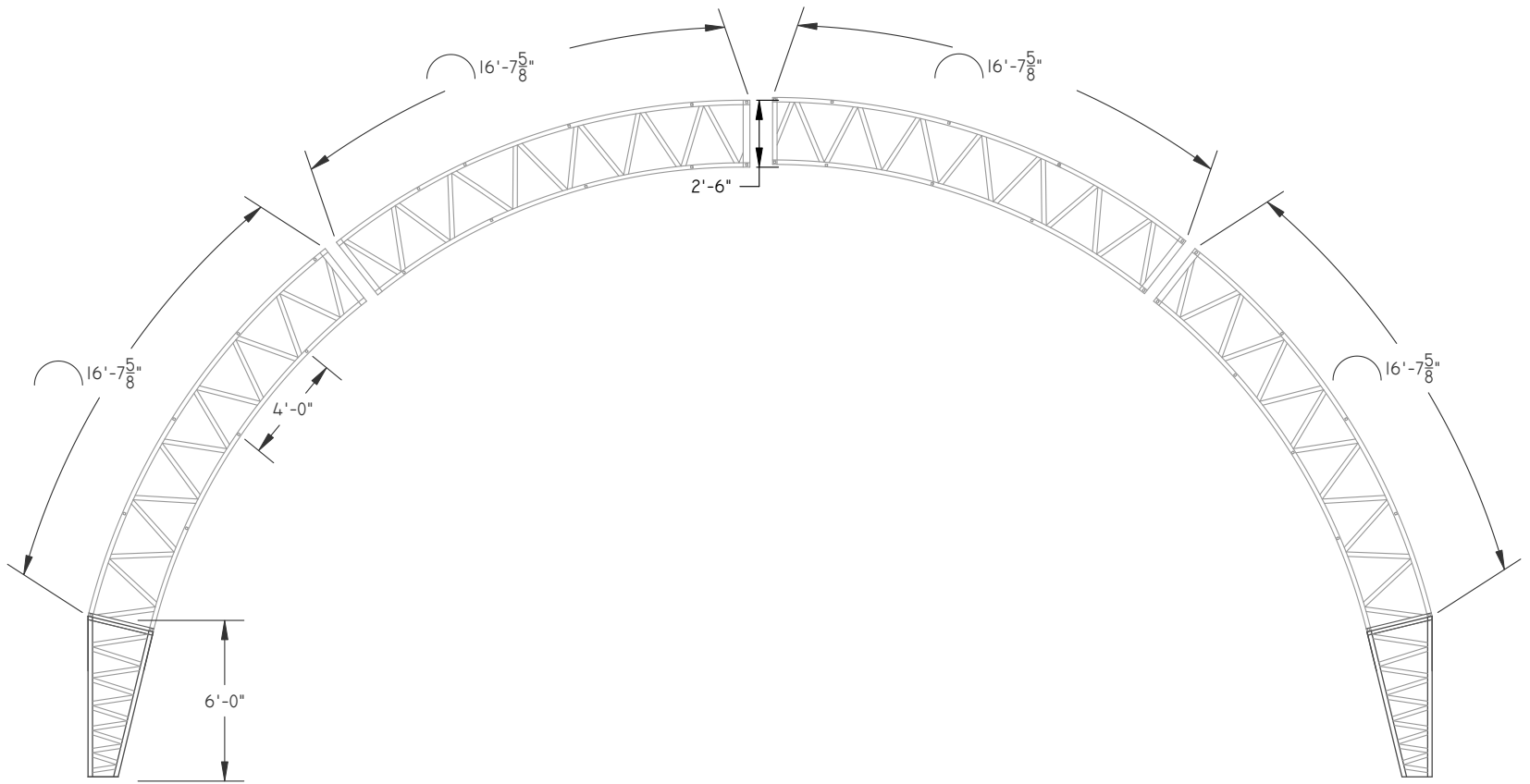


Replacement of the Pelham Summerfest Arches
 Drawing 4 of 9

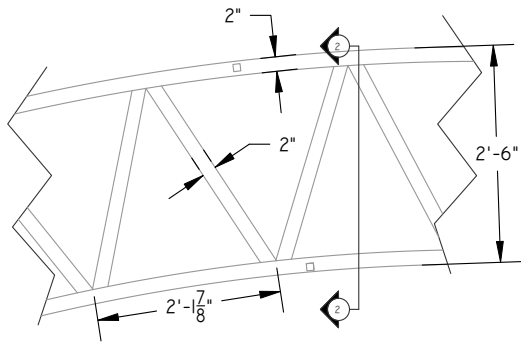


Replacement of the Pelham Summerfest Arches

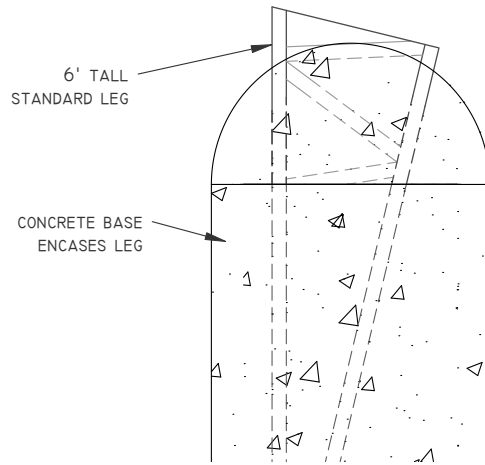
Drawing 5 of 9



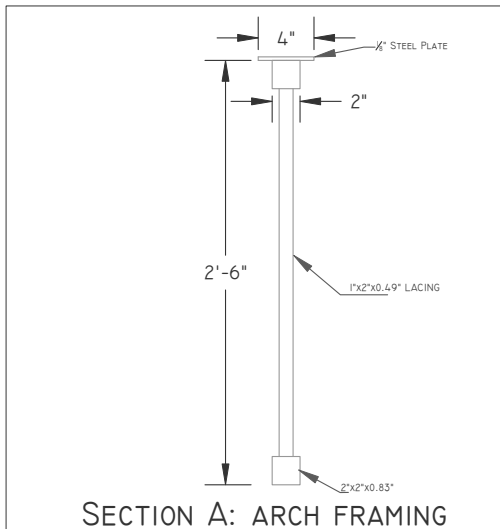
Replacement of the Pelham Summerfest Arches
Drawing 6 of 9



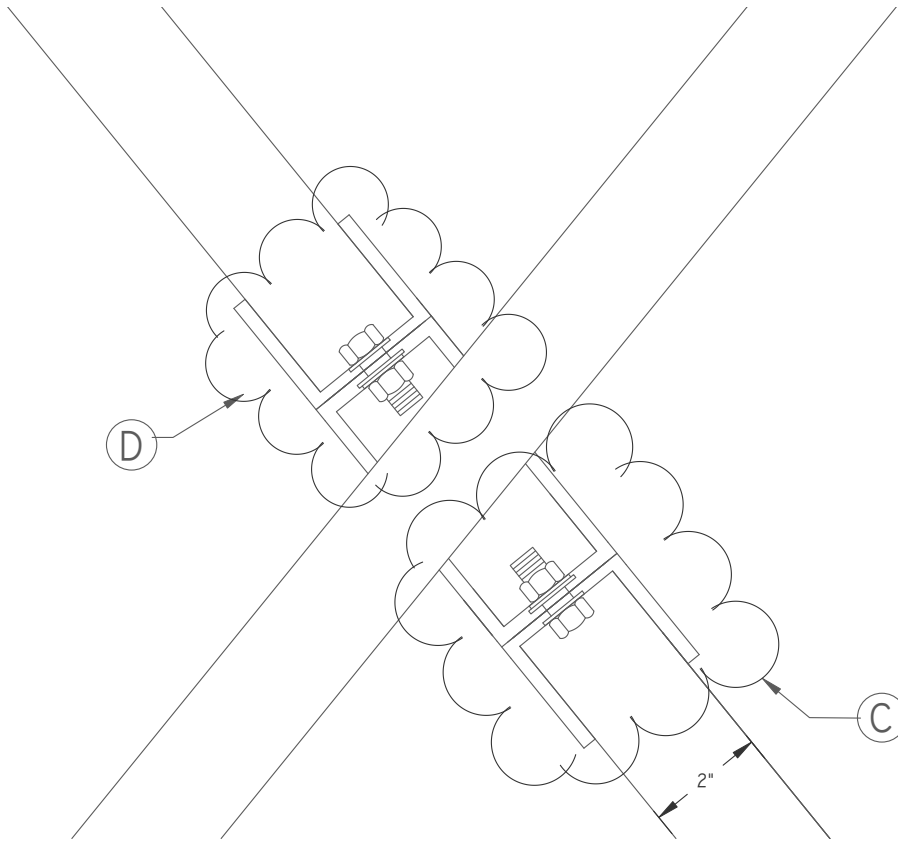
DETAIL A: ARCH FRAMING



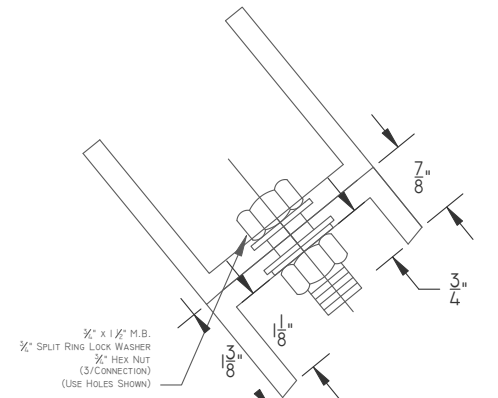
DEATIL B: PILLAR CONNECTION



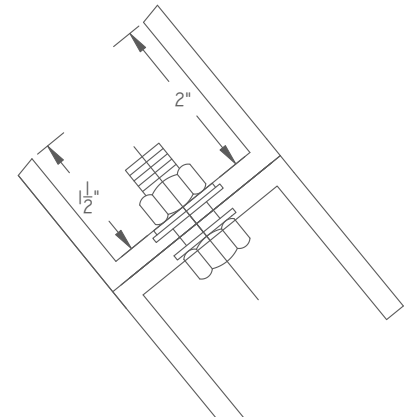
SECTION A: ARCH FRAMING

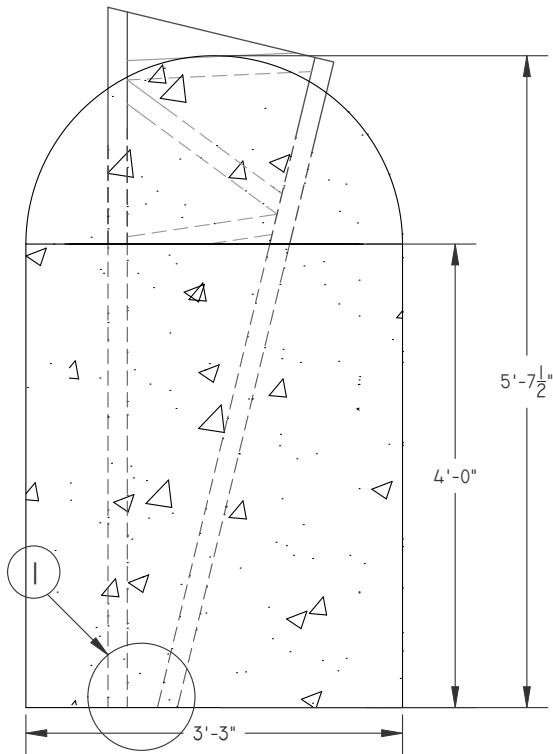


DETAIL I: ARCH CONNECTION

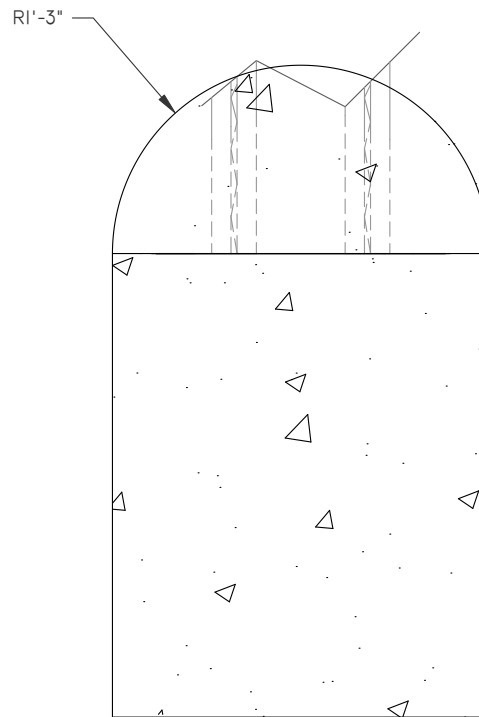


DETAIL C: CONNECTION CHAN

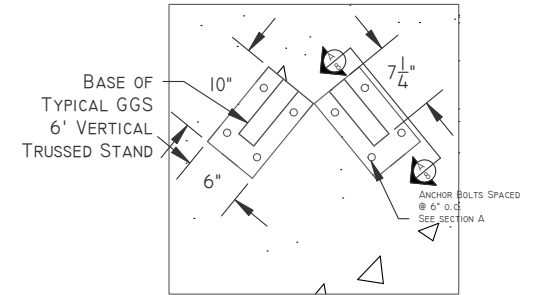




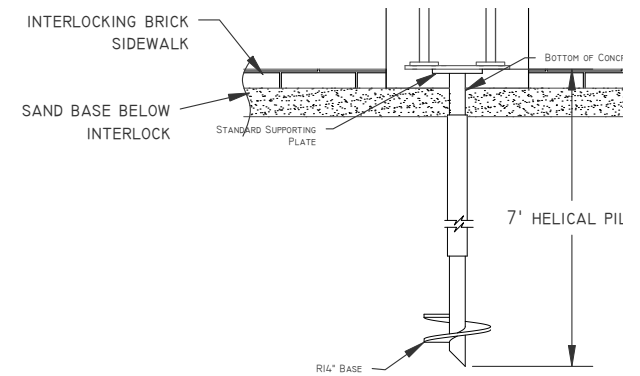
ARCH BASE: SIDE VIEW



ACH BASE: FRONT VIEW



DETAIL I: BASE PLATE CONNECT



Replacement of the Pelham Summerfest Arches
Drawing 9 of 9